

Model No. DS 2012

LED type	Chip
Pitch (HxV)	2.5mm x 2.5mm
Display Area	
In Cylindrical(DxH)	Φ 2.06M x 1.2M / 6.76ft x 3.94ft
Total Area	7.776 m ² / 83.68 ft ²
Screen Size (HxV) x Screens	2.16M x 1.2M x3 / 7.09ft x 3.94ft x3
Resolution (HxV) x Pictures	864 x 480 x3 (*-1A) 2592 x 480 x1 (*-3) (Full Wrap) 864 x 480 x3 (*-3)

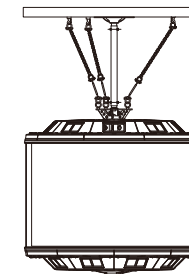
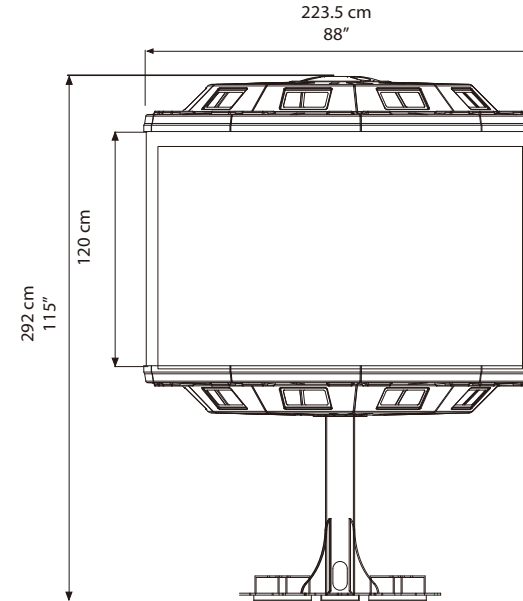
Luminance	> 550 cd/m ²
Luminous Uniformity	+3.0%
Brightness Control Level	None
Color Depth	16.7 million
Contrast	> 5000 : 1

Physical Dimension (DxH) Φ 2.23M x 2.92M / 7.32ft x 9.58ft

Physical Weight	800kg / 1762 lbs
Ceiling Mount model available	Yes
Stand Option	0.75M / 2.46ft
Light Box Option	None
Light Box (Poster Size WxHxPcs)	None
Operation Temperature	0°C ~ +30°C
Storage Temperature	-20°C ~ +85°C

Refresh Rate	60Hz
Rotational Speed	200 RPM
Power Requirement(Peak)	AC200~240V 30A, Single Phase

Power Consumption(Typical)	4350 Watt
Video Interface	DVI (1024 x 768@60Hz)
Media Integration	IPC (Composite, S-Video included)
IPC Type	Built-in/Standalone IPC
Built-in Speaker	2 Channels(40Watt)
Built-in Optics Fiber Rx	Option
Optional Image Scaler Type	Built-in/Standalone ISC



CEILING MOUNT OPTION