

**Model No.** DS 1713

<b>LED type</b>	Lamp
<b>Pitch (HxV)</b>	2.24mm x 2.2mm
<b>Display Area</b>	
<b>In Cylindrical(DxH)</b>	Φ 1.70M x 1.3M / 5.58ft x 4.33ft
<b>Total Area</b>	7.03 m <sup>2</sup> / 75.60 ft <sup>2</sup>
<b>Screen Size (HxV) x Screens</b>	1.78M x 1.32M x3 / 5.84ft x 4.33ft x3
<b>Resolution (HxV) x Pictures</b>	792 x 600 x3

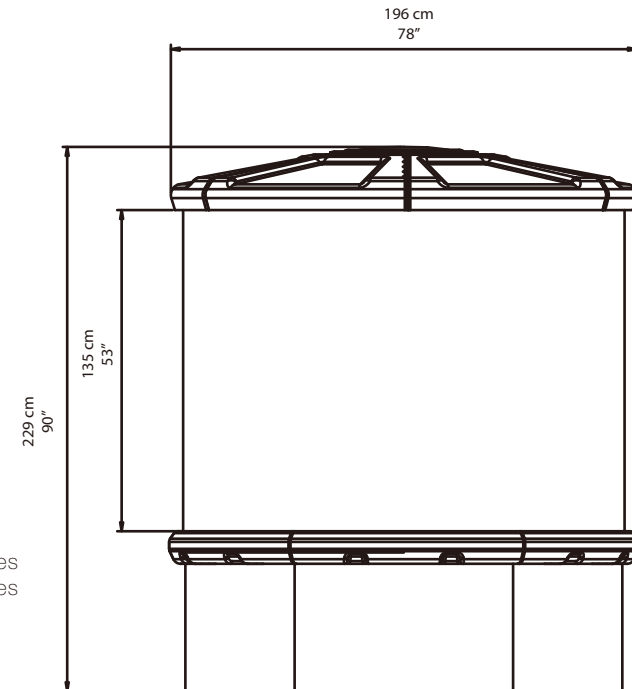
<b>Luminance</b>	> 5000 cd/m <sup>2</sup>
<b>Luminous Uniformity</b>	+3.0%
<b>Brightness Control Level</b>	4
<b>Color Depth</b>	16.7 million
<b>Contrast</b>	> 5000 : 1

**Physical Dimension (DxH)** Φ 2.00M x 2.30M / 6.56ft x 7.54ft

<b>Physical Weight</b>	1300kg / 2863 lbs
<b>Ceiling Mount model available</b>	None
<b>Stand Option</b>	1.5M / 2M (4.92ft/ 6.56ft)
<b>Light Box Option</b>	None
<b>Light Box (Poster Size WxHxPcs)</b>	None
<b>Operation Temperature</b>	-20°C ~ +40°C
<b>Storage Temperature</b>	-20°C ~ +85°C

<b>Refresh Rate</b>	60Hz
<b>Rotational Speed</b>	200 RPM
<b>Power Requirement(Peak)</b>	Air Conditioner(Either one option) 1. AC200~240V, 25A, 3 Phase, 3wires 2. AC380~420V, 20A, 3 Phase, 4wires LED: AC220V, 40A, Single Phase

<b>Power Consumption(Typical)</b>	11800 Watt
<b>Video Interface</b>	DVI(1024 x 768@60Hz)
<b>Media Integration</b>	IPC (Composite, S-Video included)
<b>IPC Type</b>	Built-in/Standalone IPC
<b>Built-in Speaker</b>	2 Channels(40Watt)
<b>Built-in Optics Fiber Rx</b>	Option
<b>Optional Image Scaler Type</b>	Built-in/Standalone ISC



SPECIFICATIONS ARE SUBJECT TO CHANGE WITHOUT NOTICE