

**Model No.** DS 1508

<b>LED type</b>	Chip / Lamp
<b>Pitch (HxV)</b>	1.9mm x 1.7mm
<b>Display Area</b>	
<b>In Cylindrical(DxH)</b>	Φ1.57M x 0.87M / 5.15ft x 2.85ft
<b>Total Area</b>	4.29 m <sup>2</sup> / 46.12 ft <sup>2</sup>
<b>Screen Size (HxV) x Screens</b>	1.64M x 0.87M x3 / 5.38ft x 2.85ft x3
<b>Resolution (HxV) x Pictures</b>	864 x 512 x3

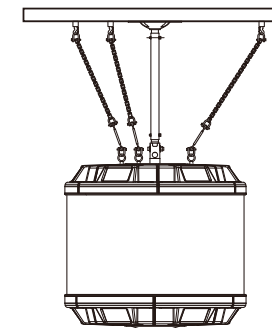
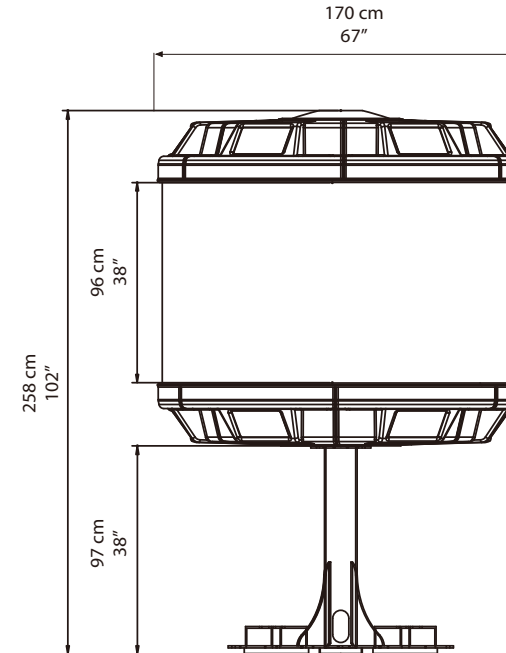
<b>Luminance</b>	> 500 cd/m <sup>2</sup> (Chip)
<b>Luminous Uniformity</b>	+3.0%
<b>Brightness Control Level</b>	None
<b>Color Depth</b>	16.7 million
<b>Contrast</b>	> 5000 : 1

**Physical Dimension (DxH)** Φ1.70M x 2.58M / 5.58ft x 8.46ft

<b>Physical Weight</b>	600kg
<b>Ceiling Mount model available</b>	Yes
<b>Stand Option</b>	0.5M/ 1M/ 2M(1.64ft/ 3.28ft/ 6.56ft)
<b>Light Box Option</b>	None
<b>Light Box (Poster Size WxHxPcs)</b>	None
<b>Operation Temperature</b>	0°C ~ +30°C
<b>Storage Temperature</b>	-20°C ~ +85°C

<b>Refresh Rate</b>	40Hz
<b>Rotational Speed</b>	270 RPM
<b>Power Requirement(Peak)</b>	AC200~240V 20A, Single Phase

<b>Power Consumption(Typical)</b>	2700 Watt
<b>Video Interface</b>	DVI(1024 x 768@60Hz)
<b>Media Integration</b>	IPC (Composite, S-Video included)
<b>IPC Type</b>	Built-in/Standalone IPC
<b>Built-in Speaker</b>	2 Channels(40Watt)
<b>Built-in Optics Fiber Rx</b>	Option
<b>Optional Image Scaler Type</b>	Built-in/Standalone ISC



CEILING MOUNT OPTION