

Model No. DS 0808

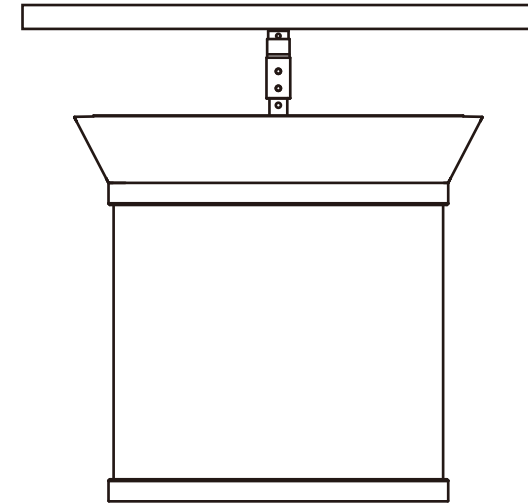
LED type	Chip
Pitch (HxV)	2.0mm x 2.0mm
Display Area	
In Cylindrical(DxH)	Φ 0.87M x 0.77M / 2.85ft x 2.52ft
Total Area	2.09 m ² / 22.48 ft ²
Screen Size (HxV) x Screens	1.36M x 0.77M x2 / 4.46ft x 2.52ft x2
Resolution (HxV) x Pictures	1366 x 384 x1 (Full Wrap) 683 x 384 x2

Luminance	> 750 cd/m ²
Luminous Uniformity	+3.0%
Brightness Control Level	None
Color Depth	16.7 million
Contrast	> 5000 : 1

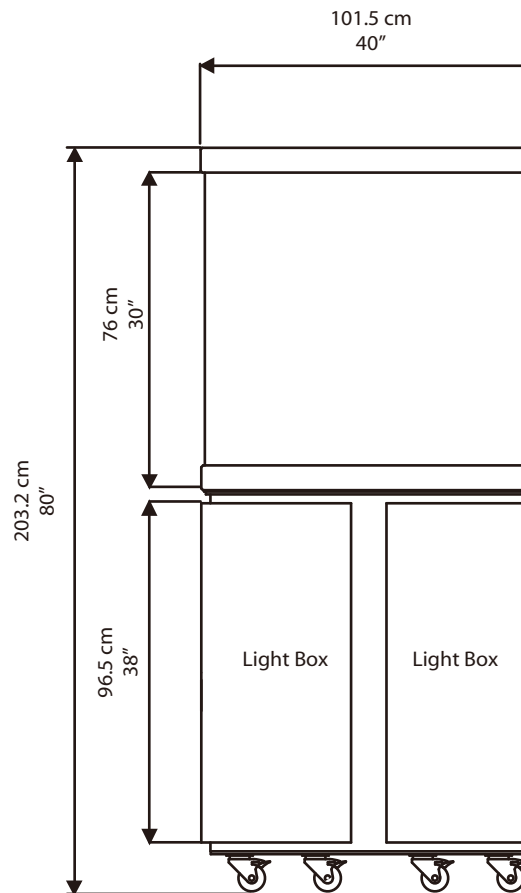
Physical Dimension (DxH)	Φ1.00M x 2.03M / 3.28ft x 6.66ft Φ1.00M x 1.16M / 3.28ft x 3.81ft(CM Type)
Physical Weight	350kg / 230kg(CM Type) 772 lbs/507 lbs(CM Type)
Ceiling Mount model available	Yes
Stand Option	None
Light Box Option	Yes
Light Box (Poster Size WxHxPcs)	1.49M x 0.96M x2
Operation Temperature	0°C ~ +30°C
Storage Temperature	-20°C ~ +85°C

Refresh Rate	60Hz
Rotational Speed	450 RPM
Power Requirement(Peak)	Either one option 1.AC 100~120, 25A Single Phrase 2.AC 200~240, 15A Single Phrase

Power Consumption(Typical)	1500 Watt
Video Interface	DVI (1400 x 1050@60Hz)
Media Integration	IPC (Composite, S-Video included)
IPC Type	Built-in IPC
Built-in Speaker	2 Channels(w/ Amp. 10Watt)
Built-in Optics Fiber Rx	Option
Optional Image Scaler Type	Built-in ISC



CEILING MOUNT OPTION



SPECIFICATIONS ARE SUBJECT TO CHANGE WITHOUT NOTICE